



DEPAC offers a complete range of mechanical seals with elastomer bellows designs at a very competitive price especially for OEMs. The various versions are designed for applications in the most diverse installation spaces. All DEPAC mechanical seal variants can be supplied with various DEPAC stationary parts; the stationary part DS4 is used as standard with the type 170. Other stationary parts change the installation length. Use this inexpensive alternative mechanical seal, especially if you need large quantities.

Advantages

- Rotating unit already preassembled
- Independent of the direction of rotation
- No seizing of O-rings
- Wide area of applications
- Low costs
- Use with various stationary parts possible
- For short and DIN installation spaces
- No scoring of shafts and shaft sleeves
- Optimal damping of shock and vibration movements

Mechanical seal

Type 170

Technical specifications

Area of application*

Pressure: up to 10 bar
Temperature: dependent on elastomer
Sliding speed: up to 15 m/s

* The maximum specifications for temperature, pressure and sliding speed apply in each case to independent higher operating conditions. However, this does not mean that the seal will function with all extreme conditions at the same time. If in doubt contact DEPAC.

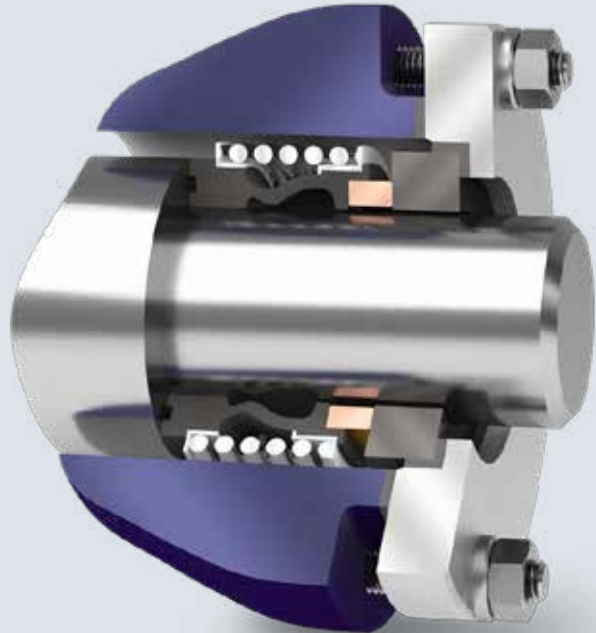
Dimensions

Shaft diameter: 10 – 100 mm
 $\frac{3}{8}$ " – 3"
Special sizes on enquiry

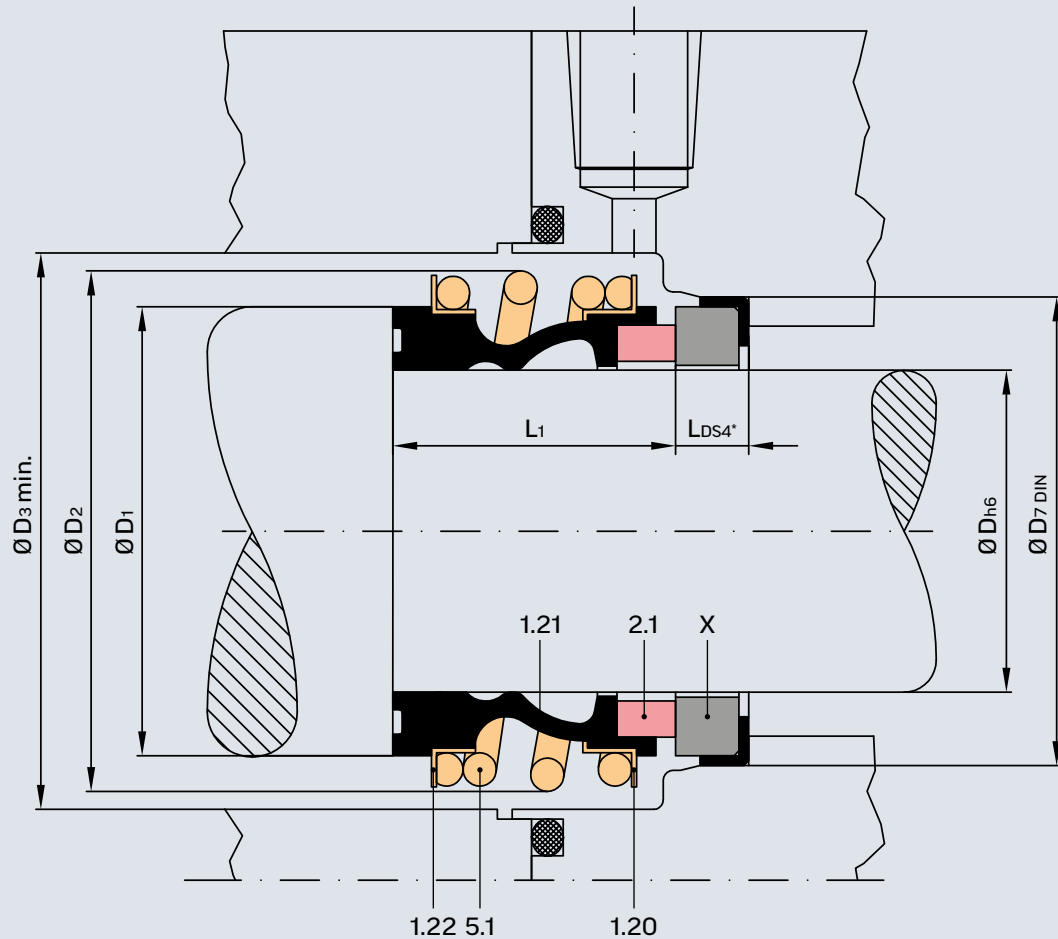
Bill of materials

Item	Description	Material
1.21	Bellows	FKM, NBR, EPDM
1.20, 1.22	Angle ring	1.4301
2.1	Dynamic seal face	CA, SC, SSIC
5.1	Spring	1.4310
X*	Stationary part DS4	CE, SC
Y*	Profile seal	FKM, EPDM, PTFE

* Not included in the scope of delivery!



Mechanical seal Type 170 Data sheet



Dimension table Ø 10 – 68 millimetres

D _{h6}	D ₁	D ₂	D _{3 min.}	D _{7 DIN}	L ₁	L _{ds4*}
10	20.5	20.0	22.0	21	14.5	6.6
12	22.5	24.0	26.0	23	15	6.6
14	26.5	28.0	30.0	25	17	6.6
15	26.5	28.0	30.0	27	17	6.6
16	26.5	28.0	30.0	27	17	6.6
18	29.0	31.0	33.0	33	19.5	7.5
20	33.0	36.0	38.0	35	21.5	7.5
22	33.0	36.0	38.0	37	21.5	7.5
24	38.0	40.5	42.5	39	22.5	7.5
25	38.0	41.0	43.0	40	23	7.5
28	44.0	47.0	49.0	43	26.5	7.5
30	44.0	47.0	49.0	45	26.5	7.5
32	46.0	51.0	53.0	48	27.5	7.5
33	46.0	51.0	53.0	48	27.5	7.5

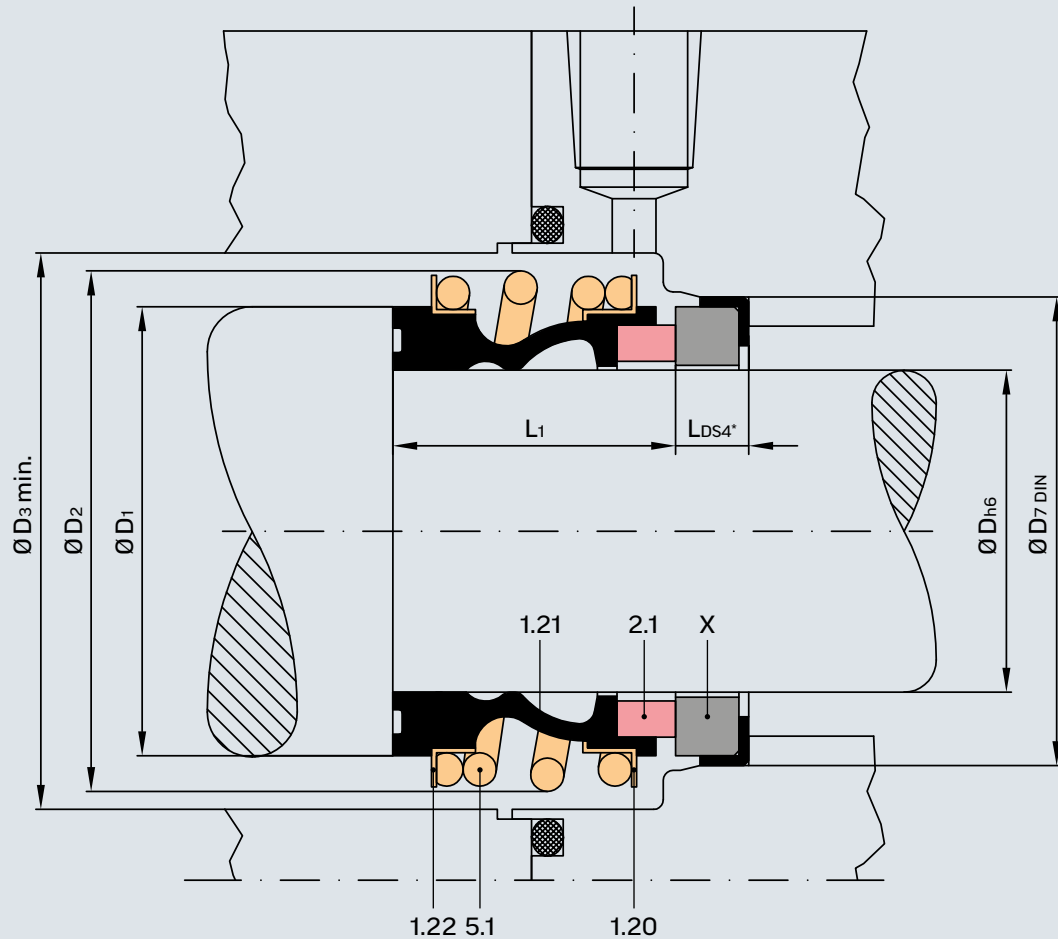
D _{h6}	D ₁	D ₂	D _{3 min.}	D _{7 DIN}	L ₁	L _{ds4*}
35	50.0	55.0	57.0	50	28.5	7.5
38	53.0	58.0	60.0	56	30	9
40	55.0	60.0	62.0	58	30	9
43	58.0	63.0	65.0	61	30	9
45	60.0	65.0	67.0	63	30	9
48	63.0	69.0	71.0	66	30.5	9
50	65.0	71.0	74.0	70	30.5	9.5
53	70.0	76.0	79.0	73	33	11
55	72.0	78.0	81.0	75	35	11
58	75.0	82.0	85.0	78	37	11
60	79.0	85.0	88.0	80	38	11
65	84.0	90.0	93.0	85	40	11
68	88.0	94.0	97.0	90	40	11.3

* Illustration and installation lengths with stationary part DS4

Mechanical seal

Type 170

Data sheet

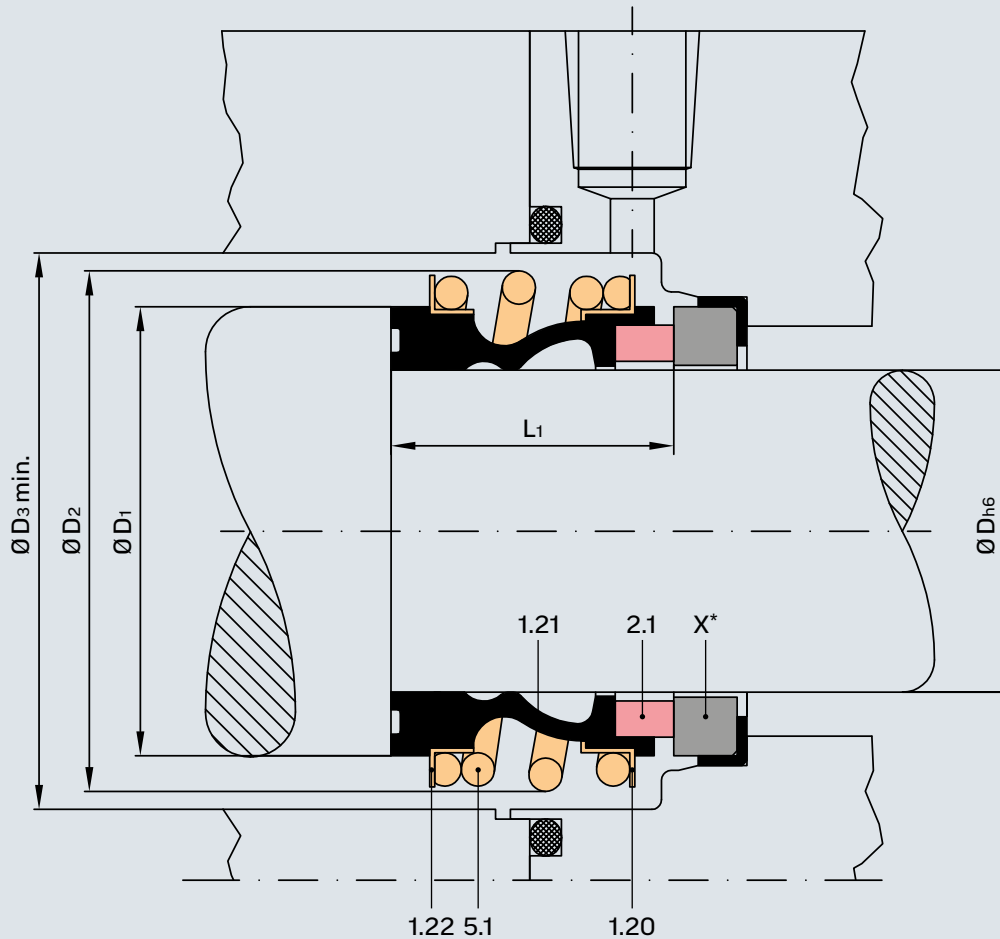


Dimension table Ø 70 - 100 millimetres

D _{h6}	D ₁	D ₂	D ₃ min.	D ₇ DIN	L ₁	L _{ds4*}
70	90.0	97.0	101.0	92	40	11.3
75	95.0	102.0	106.0	97	40	11.3
80	100.0	108.0	112.0	105	40	12
85	107.0	117.0	121.0	110	41	14
90	114.0	126.0	130.0	115	45	14
95	119.0	131.0	135.0	120	46	14
100	124.0	131.0	135.0	125	47	14

* Illustration and installation lengths with stationary part DS4

Mechanical seal Type 170 Data sheet



Dimension table $\emptyset \frac{3}{8}$ - 3 inches

Dh6	D1	D2	D3 min.	L1
$\frac{3}{8}$	0.807	0.886	0.945	0.571
$\frac{1}{2}$	0.886	0.984	1.043	0.591
$\frac{5}{8}$	1.043	1.122	1.181	0.669
$\frac{3}{4}$	1.299	1.457	1.516	0.846
$\frac{7}{8}$	1.299	1.457	1.516	0.846
1	1.496	1.673	1.732	0.906
1 $\frac{1}{8}$	1.732	1.929	2.008	1.043
1 $\frac{1}{4}$	1.811	2.106	2.185	1.083
1 $\frac{3}{8}$	1.969	2.244	2.323	1.122
1 $\frac{1}{2}$	2.087	2.323	2.402	1.181
1 $\frac{5}{8}$	2.283	2.579	2.657	1.181
1 $\frac{3}{4}$	2.362	2.677	2.756	1.181
1 $\frac{7}{8}$	2.480	2.776	2.854	1.201
2	2.559	2.913	3.031	1.201

Dh6	D1	D2	D3 min.	L1
2 $\frac{1}{8}$	2.835	3.198	3.307	1.578
2 $\frac{1}{4}$	2.953	3.366	3.484	1.457
2 $\frac{3}{8}$	3.110	3.484	3.602	1.496
2 $\frac{1}{2}$	3.307	3.681	3.799	1.575
2 $\frac{5}{8}$	3.465	3.799	3.917	1.575
2 $\frac{3}{4}$	3.543	3.917	4.075	1.575
2 $\frac{7}{8}$	3.740	4.213	4.370	1.575
3	3.740	4.213	4.370	1.575

* Illustration with stationary part DS4