

# Mechanical seal Type 186K



The DEPAC component seal type 186K is a dynamic single seal that was specially developed as a high-quality replacement for conventional rubber bellows seals. The mechanical seal fits installation spaces according to DIN 24960 / EN 12756, but is shorter and is combinable with the popular stationary parts. The mechanical seal is characterised by its universal range of uses and is suitable for many applications.

## Advantages

- Replaces short mechanical seals with a conventional design
- Axial and radial fastening option
- Short design
- Pressure balanced
- Independent of the direction of rotation
- Multiple springs made of Hastelloy C
- No scoring of the shaft
- Springs outside the medium - no blockage of the springs
- Combinable with various stationary parts

# Mechanical seal Type 186K

## Technical specifications

### Area of application\*

Pressure:	700 mmHg to 28 bar
Temperature:	depending on elastomer
Sliding speed:	up to 30 m/s
Shaft movements:	axial $\leq \varnothing 60 \pm 0.5 \text{ mm} \mid > \varnothing 60 \pm 1.5 \text{ mm}$ radial $\leq \varnothing 60 \pm 0.5 \text{ mm} \mid > \varnothing 60 \pm 1.0 \text{ mm}$

\* The maximum specifications for temperature, pressure and sliding speed apply in each case to independent higher operating conditions. However, this does not mean that the seal will function with all extreme conditions at the same time. If in doubt contact DEPAC.

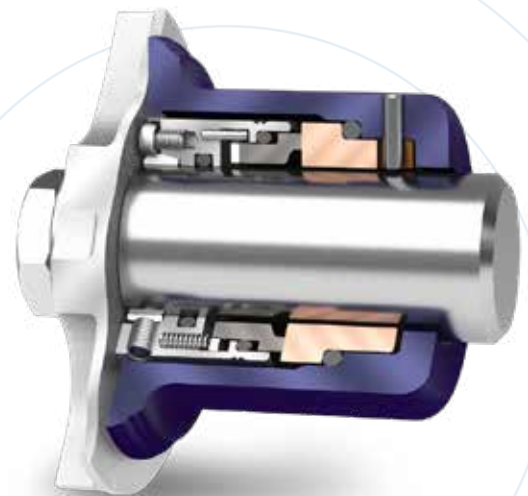
### Dimensions

Shaft diameter:	$\varnothing 24 - 100 \text{ mm}$ $\varnothing 1" - 3"$ Special sizes on request
-----------------	--

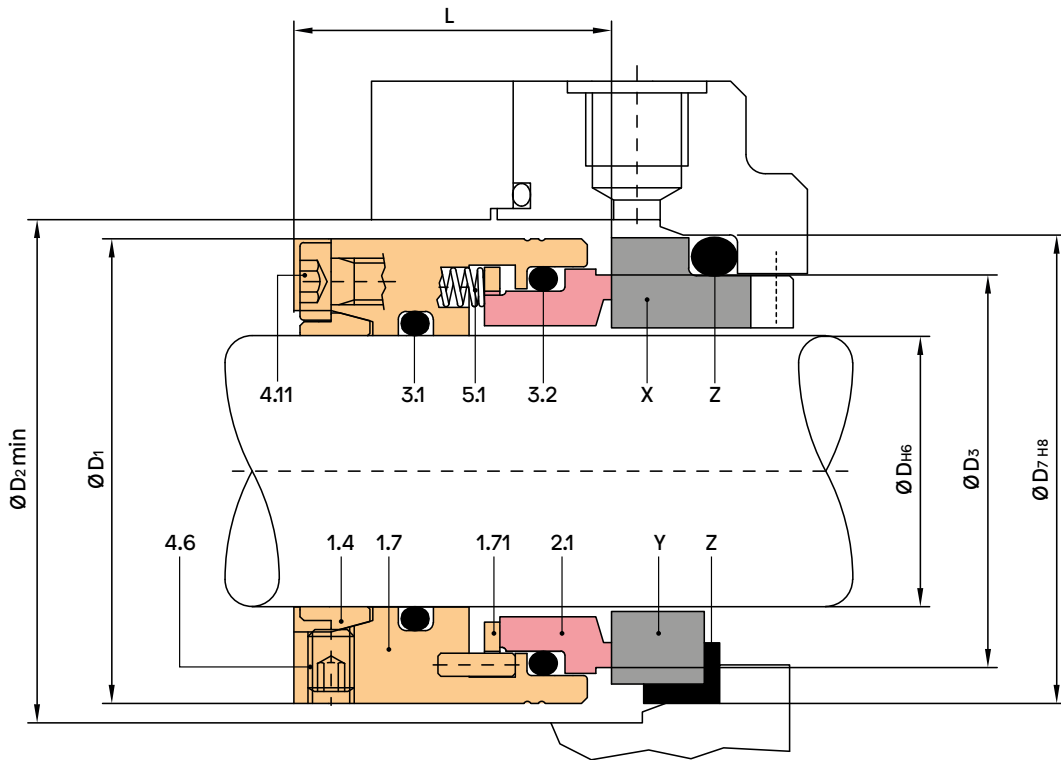
### Bill of materials

Item	Description	Material
1.4	Clamping ring	1.4571
1.7	Dynamic retainer	1.4571
1.71	Thrust washer	1.4571
2.1	Dynamic seal face	CA/SC/SSIC/TC
3.1, 3.2	O-ring	FKM, EPDM, Kalrez®, PTFE,...
4.6	Threaded pin	A4
4.11	Socket screw	A4
5.1	Spring	2.4610
X*	Stationary parts DS1, DS2	SC/SSIC/TC
Y*	Stationary part DS4	SC
Z*	O-Ring or profile seal	FKM, EPDM

\* Not included in the scope of delivery! Other materials on request!



# Mechanical seal Type 186K

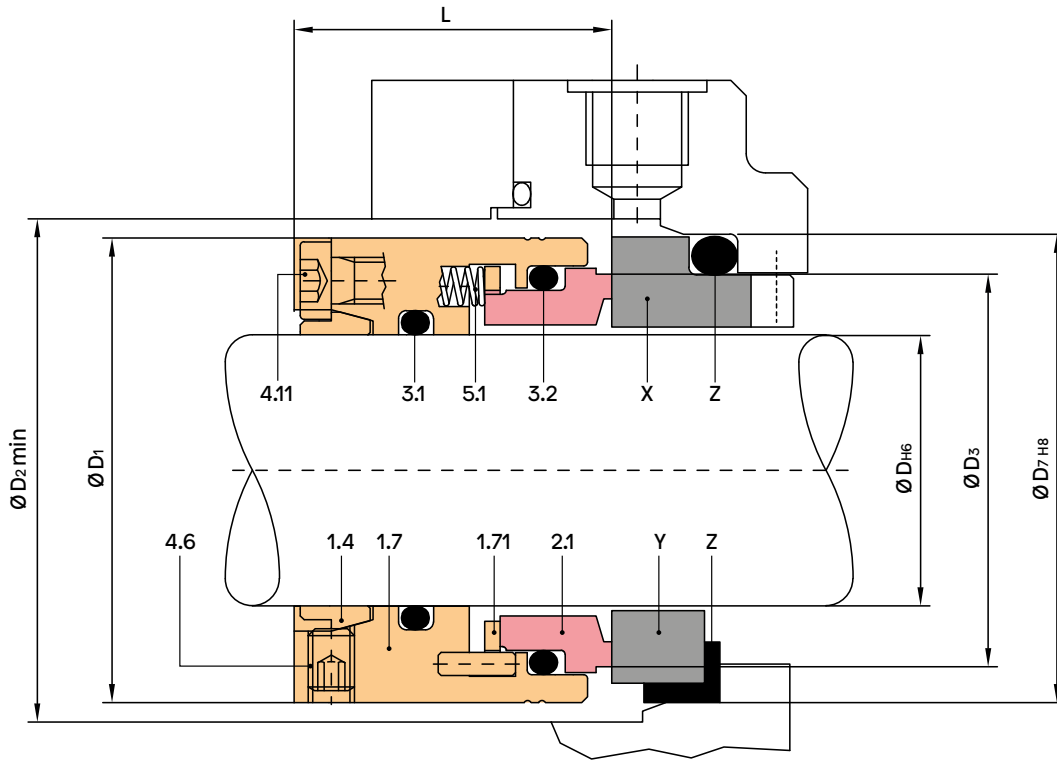


**Dimension table Ø 24 – 100 mm**

O-rings DASH no.							
Dh6	D1	D2 min.	D3	D7	L	3.1	3.2
24	42,5	44,5	36,1	40	23	120	125
25	42,5	44,5	36,1	40	23	120	125
28	45,5	47,5	39,1	43	26,5	122	127
30	47,5	49,5	41,1	45	26,5	123	128
32	50,0	52,0	42,6	48	27,5	125	129
33	50,0	52,0	42,6	48	27,5	125	129
35	53,0	55	45,9	50	28,5	126	131
38	56,0	58	49,9	56	30	128	133
40	58,0	60	51,9	58	30	130	135
43	61,0	63	54,9	61	30	132	137
45	63,0	65	56,9	63	30	133	138
48	66,0	67	60,9	66	30,5	135	140
50	68,0	70	62,9	70	30,5	136	141

O-rings DASH no.							
Dh6	D1	D2 min.	D3	D7	L	3.1	3.2
53	74,0	76	65,9	73	33	138	143
55	76,0	78	67,9	75	35	139	144
58	79,0	81	70,9	78	37	141	146
60	81,0	83	72,9	80	38	142	147
65	90,0	93	79,2	85	40	231	234
68	93,0	96	83,7	90	40	232	235
70	95,0	98	85,7	92	40	232	236
75	100,0	103	90,7	97	40	234	237
80	105,0	108	95,7	105	40	236	239
85	110,0	113	100,7	110	41	237	241
90	117,0	120	105,7	115	45	239	242
95	122,0	125	110,7	120	46	240	244
100	127,0	130	115,7	125	47	242	245

# Mechanical seal Type 186K



**Dimension table Ø 1 – 3 inches**

Dh6	D1	D2 min.	D3	D7	L	O-rings DASH no.	
						3.1	3.2
1	1,673	1,752	1,421	1,575	0,906	120	125
1 1/8	1,791	1,870	1,539	1,693	1,043	122	127
1 1/4	1,969	2,047	1,677	1,890	1,083	124	129
1 3/8	2,087	2,165	1,807	1,969	1,122	126	131
1 1/2	2,205	2,283	1,965	2,205	1,181	128	133
1 5/8	2,362	2,441	2,122	2,402	1,181	131	136
1 3/4	2,480	2,560	2,240	2,480	1,181	133	138
1 7/8	2,598	2,638	2,398	2,598	1,201	135	140
2	2,913	2,992	2,594	2,874	1,299	136	143

Dh6	D1	D2 min.	D3	D7	L	O-rings DASH no.	
						3.1	3.2
2 1/8	2,992	3,071	2,673	2,953	1,378	138	144
2 1/4	3,110	3,189	2,791	3,071	1,457	141	146
2 3/8	3,189	3,268	2,870	3,150	1,496	142	147
2 1/2	3,543	3,661	3,118	3,346	1,575	230	234
2 5/8	3,661	3,780	3,295	3,622	1,575	231	235
2 3/4	3,740	3,858	3,374	3,622	1,575	232	236
2 7/8	3,937	4,055	3,571	3,819	1,575	233	237
3	4,134	4,252	3,768	3,819	1,575	235	239



Mechanical seals  
Packings  
Hydraulic seals  
Workshop  
Comtec

DEPAC Anstalt  
Wirtschaftspark 44, FL-9492 Eschen  
T +423 373 9700, F +423 373 9719  
office@depac-fl.com, www.depac.at

Your authorized DEPAC dealer:

B200836